



architectural

# Running Magnet 2.0 Surface

High-tech LED lighting system for interior architecture

### Description

Fun with magnets and light. Simultaneously graphic and subtle, the Running Magnet is flexible, precise, and as creative as you. It is track lighting redesigned and elegantly refined. Light elements snap in place and connect automatically through the magic of magnets. Extruded aluminum housings create a clean 1-3/8-inch slot and preconfigured corners complete the system that can run up, around and across walls and ceilings. Finishes align perfectly, always, because Running Magnet can be easily cut on site. Linear LED and accent fixtures, available in a variety of sizes, can be exchanged and repositioned quickly, without tools, with artistic results. The Running Magnet is perfect for retail displays where frequent changes are typical and absolute performance is mandatory.

### Lamps

- Mini Glo-Ball: 7W, 800lm, 2700K, CRI 80  
7W, 880lm, 3000K, CRI 80
- Mini Glo-Ball S: 3.5W, 400lm, 2700K, CRI 80  
3.5W, 440lm, 3000K, CRI 80
- Find Me Suspension: 8W, 560lm, 2700K, CRI 90  
8W, 600lm, 3000K, CRI 90
- Spot Module: 8W, 600lm, 3000K, CRI 90  
8W, 550lm, 2700K, CRI 90
- Light Strip, 11.8": 7.5W, 700lm, 3000K, CRI 80  
7.5W, 680lm, 2700K, CRI 80
- Light Strip, 23.6": 15W, 1400lm, 3000K, CRI 80  
15W, 1360lm, 2700K, CRI 80
- Light Strip, 35.4": 22.5W, 2100lm, 3000K, CRI 80  
22.5W, 2040lm, 2700K, CRI 80
- Light Strip, 47.2": 30W, 2800lm, 3000K, CRI 80  
30W, 2720lm, 2700K, CRI 80

### Notes

- Consult factory for other ceiling types including acoustic tile ceilings and wood
- Listings: UL Listed, IP20 dry location only, Class 2

### Construction

- Extruded aluminum housing with integral DALI controllable track system

### Electrical

- 24V electrical system limited to a maximum load of 4A and 100W per driver
- Spot and linear luminaires available with individually addressable DALI circuitry or built-in dimmer on each fixture head
- EC to supply site cabling from driver to track location and site UL listed enclosure

### Surface Profile

- Trimless extruded aluminum profile to be surface mounted on ceilings
- Linear profiles available as feed profiles to connect to a driver and intermediate profiles to fill in remaining lengths
- Each feed profile comes with two end caps
- Available lengths: 39.4", 59", and 78.7"
- All linear profiles are field cuttable
- Corners available for continuous runs
- Track can be powered through corners
- Corners are not field cuttable

### Photometrics

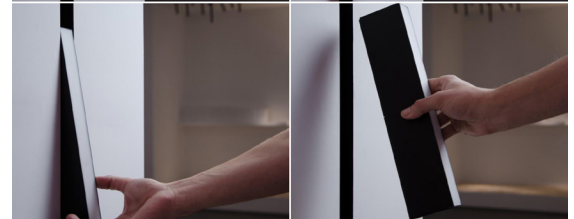
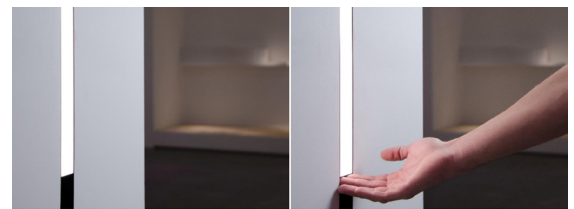
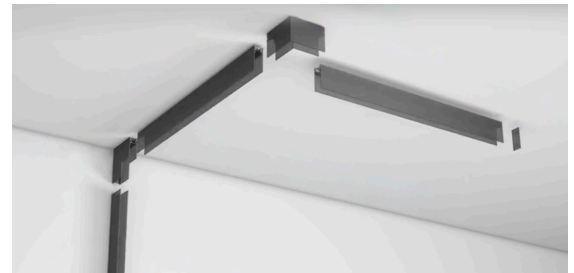
For current IES files please visit [usa.flos.com](http://usa.flos.com)

### Warranty

2 years from date of sale

Fixture Type .....

Job Name .....



## Luminaires

### Light Strip Module



- Linear LED can be rapidly exchanged and repositioned without tools. Light elements are quick to position and connect automatically with magnets
- Built-in dimming switch dims fixture with allen key from 20-100%
- Clear end caps included for continuous look when installing end-to-end

### Spot Module



- Accent LED Spot modules can be rapidly exchanged and repositioned without tools. Light elements are quick to position and connect automatically with magnets
- Built-in dimming knob dims fixture from 20-100%
- Standard beam spread is 14°
- Additional interchangeable lenses available in 27° and 36°, and 10° x 42° elliptical beam spread

### Mini Glo-Ball



- Decorative modules can be rapidly exchanged and repositioned without tools. Light elements are quick to position and connect with magnets
- Built-in dimming knob allows fixture to dim from 20-100%

### Find Me Suspension



F L O S . U S A  
110 York Street  
Brooklyn, NY 11201  
(718).875.3472

For more information contact your representative or go to [FlosUSA.com](http://FlosUSA.com).  
©2016 Specifications and dimensions subject to change without notice. *Issued 06.12.17*





architectural

# Running Magnet 2.0 Surface

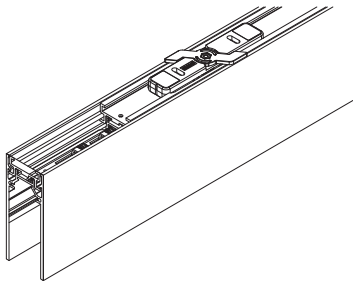
High-tech LED lighting system for interior architecture

Fixture Type .....

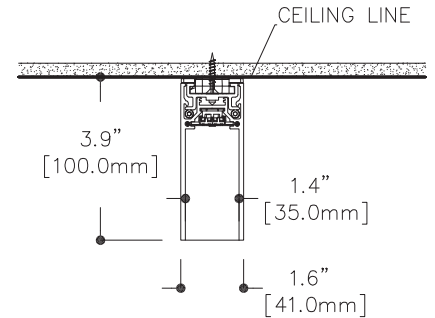
Job Name .....

## Profiles

The extruded aluminum housing creates a clean 1-3/8" slot that can be run up, around and across walls and ceilings. Linear tracks are available in two versions: power feed profiles for connecting to a driver, and intermediate profiles. End caps are included with each power feed profile. Internal foam for opening support should not be removed until after installation.



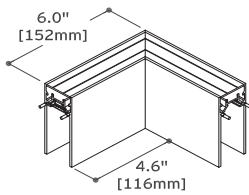
Length	Part Number Feed Unit Profile	Part Number Intermediate Profile	Finish
39.4" (1m)	06.1600	06.1605	14= Black
	06.1600	06.1605	40= White
59" (1.5m)	06.1601	06.1606	14= Black
	06.1601	06.1606	40= White
78.7" (2m)	06.1602	06.1607	14= Black
	06.1602	06.1607	40= White



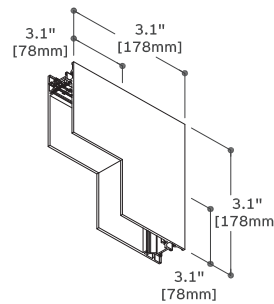
## Corners

Horizontal corners available for 90° turns in the same plane and inside corner to transition from wall to ceiling or from wall to wall.

Horizontal Corner	Finish
06.1610	14= Black 40= White



Inside Corner	Finish
06.1612	14= Black 40= White



## Drivers

LED Driver- 96W Optronic 24V Driver, no dimming wire configuration

LED96W24V-Non-Dim



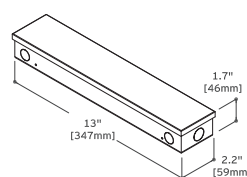
Add Lunatone 0-10V to Dali converter for dimming installation

60.9091



Splice Box

SP-24V-96W-Non-Dim



## Optional Accessory

Extra End Caps

08.8887.14





architectural

# Running Magnet 2.0 Surface

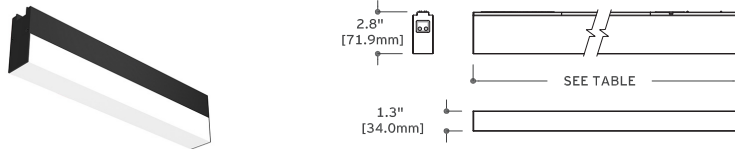
High-tech LED lighting system for interior architecture

Fixture Type .....

Job Name .....

## Light Strip Module

Linear LED can be rapidly exchanged and repositioned without tools. Light elements are quick to position and connect automatically with magnets. Built-in dimming knob dims fixture from 20–100%. Clear end caps included for continuous look when installing end-to-end.



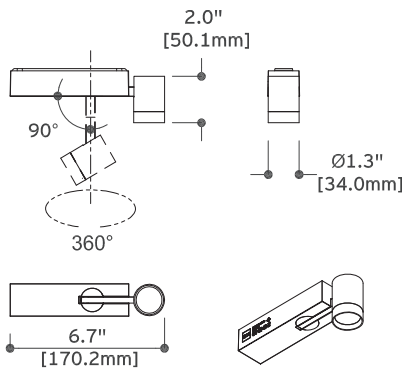
Length	CRI	CCT	Initial Lumen	Watts	Part Number Built-in 20–100% Dimming	Part Number DALI–Dimming
11.8" (300mm)	80	3000	700	7.5	03.6310.14.90	03.6310.14ADD
		2700	680	7.5	03.6311.14.90	03.6311.14ADD
23.6" (600mm)		3000	1400	15	03.6320.14.90	03.6320.14ADD
		2700	1360	15	03.6321.14.90	03.6321.14ADD
35.4" (900mm)		3000	2100	22.5	03.6330.14.90	03.6330.14ADD
		2700	2040	22.5	03.6331.14.90	03.6331.14ADD
47.2" (1200m)		3000	2800	30	03.6340.14.90	03.6340.14ADD
		2700	2720	30	03.6341.14.90	03.6341.14ADD

## Spot Module

Accent LED Spot modules can be rapidly exchanged and repositioned without tools. Light elements are quick to position and connect automatically with magnets. Built-in dimming knob dims fixture from 20–100%. Standard beam spread is 14°. Additional interchangeable lenses available in 27° and 36°, and 10° x 42° elliptical beam spread.



CCT	CRI	Initial Lumen	Beam Spread	Part Number Built-in 20–100% Dimming	Part Number DALI–Dimming	Photometric														
3000	90	600	14° Standard	03.6302.14A90	03.6302.14ADD	<table border="1"> <thead> <tr> <th>E(lx/Klm)</th> <th>D(m)</th> </tr> </thead> <tbody> <tr> <td>h(m)</td> <td>21°</td> </tr> <tr> <td>1</td> <td>6199 0.37</td> </tr> <tr> <td>2</td> <td>1550 0.74</td> </tr> <tr> <td>3</td> <td>689 1.11</td> </tr> <tr> <td>4</td> <td>387 1.48</td> </tr> <tr> <td>5</td> <td>248 1.85</td> </tr> </tbody> </table>	E(lx/Klm)	D(m)	h(m)	21°	1	6199 0.37	2	1550 0.74	3	689 1.11	4	387 1.48	5	248 1.85
E(lx/Klm)	D(m)																			
h(m)	21°																			
1	6199 0.37																			
2	1550 0.74																			
3	689 1.11																			
4	387 1.48																			
5	248 1.85																			
2700	90	550	14°	03.6303.14A90	03.6303.14ADD															



## Optional Accessories

Image	QTY	Item Number	Description
		08.8760.00	Flood Lens Accessory 29°
		08.8761.00	Wide Flood Lens Accessory 35°
		08.8759.00	Elliptical Lens Accessory
		08.8427.14	Extra long snoot for added shielding in aluminum with black finish (does not protrude from channel when tucked up into housing)





Fixture Type .....

Job Name .....

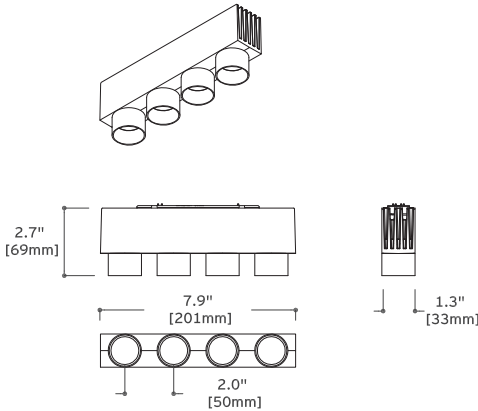
architectural

# Running Magnet 2.0 Surface

High-tech LED lighting system for interior architecture

## Multi Spot 4

Accent lighting LED module to be installed in The Running Magnet 2.0 System. Built-in DC/DC electronic voltage.



CCT	CRI	Initial Lumen	Beam Spread	Part Number Built-in 20-100% Dimming	Part Number DALI-Dimming	Photometric												
3000	90	4 x 210lm	10°	03.6306.14.90	03.6306.14.DD	<table border="1"> <thead> <tr> <th>E (lx/Klm)</th> <th>D (m)</th> </tr> </thead> <tbody> <tr> <td>6199</td> <td>0.37</td> </tr> <tr> <td>1550</td> <td>0.74</td> </tr> <tr> <td>689</td> <td>1.11</td> </tr> <tr> <td>387</td> <td>1.48</td> </tr> <tr> <td>248</td> <td>1.85</td> </tr> </tbody> </table>	E (lx/Klm)	D (m)	6199	0.37	1550	0.74	689	1.11	387	1.48	248	1.85
E (lx/Klm)				D (m)														
6199	0.37																	
1550	0.74																	
689	1.11																	
387	1.48																	
248	1.85																	
2700	03.6305.14.90	03.6305.14.DD																

### Optional Accessories

Image	QTY	Item Number	Description
		08.8760.00	Flood Lens Accessory 29°
		08.8761.00	Wide Flood Lens Accessory 35°
		08.8759.00	Elliptical Lens Accessory





architectural

# Running Magnet 2.0 Surface

High-tech LED lighting system for interior architecture

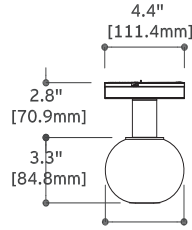
Fixture Type .....

Job Name .....

## Other Light Module

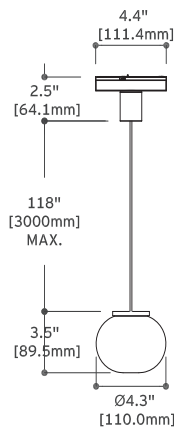
Decorative modules can be rapidly exchanged and repositioned without tools. Light elements are quick to position and connect automatically through the magic of magnets. Built-in dimming knob allows fixture to dim from 20-100%.

### Mini Glo-Ball

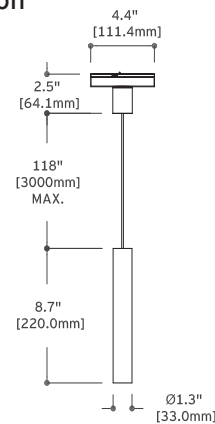


CCT	CRI	Initial Lumen	Watts	Part Number Built-in Dimming	Part Number DALI Dimming
3000	80	880	7	03.6261.14B90	03.6261.14.DD
2700		800		03.6260.14B90	03.6260.14.DD

### Mini Glo-Ball S



### Find Me Suspension



	CCT	CRI	Initial Lumen	Watts	Finish	Part Number Built-in Dimming	Part Number DALI Dimming
Mini Glo-Ball S	3000	80	440	3.5		03.6263.14B90	03.6263.14.DD
	2700	80	400			03.6262.14B90	03.6262.14.DD
Find Me Suspension	3000	90	600	8	30 = White	03.6273.30C90	03.6273.30CDD
					14 = Black	03.6273.14C90	03.6273.14CDD
					06 = Chrome	03.6273.06C90	03.6273.06CDD
	2700	90	560	8	30 = White	03.6272.30C90	03.6272.30CDD
					14 = Black	03.6272.14C90	03.6272.14CDD
					06 = Chrome	03.6272.06C90	03.6272.06CDD





architectural

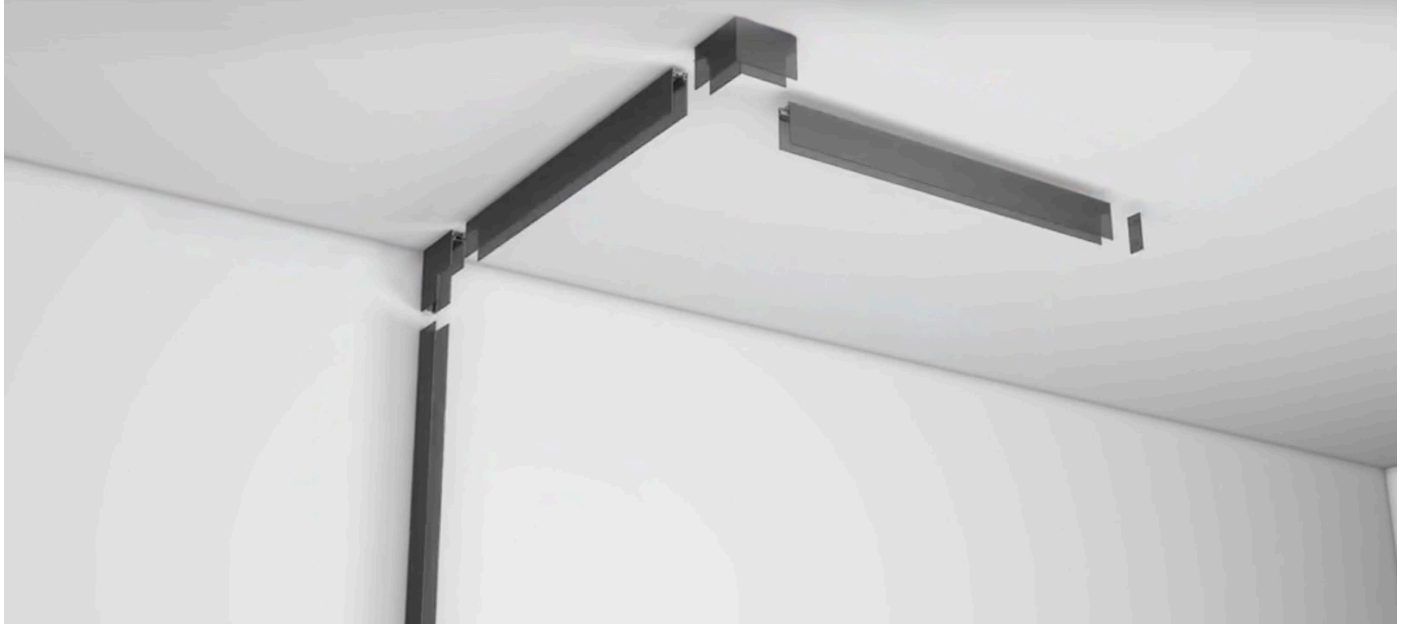
# Running Magnet 2.0 Surface

High-tech LED lighting system for interior architecture

Fixture Type .....

Job Name .....

Visit FLOS Worldwide YouTube channel for installation videos



## How to Specify

### A. Select and position corners

Horizontal – Connect sections on flat surfaces (90° corner)

B. Fill lengths between corners with Linear Housings – 3', 6', or 9' sections can be specified as feed or intermediate profiles.

Profile can be easily cut to site to exact length and joined together.

C. Drivers – Select fixed or DALI dimmable drivers. Quantity of drivers determined by total wattage or light elements in section (approximately one every 10 feet). Maximum driver distance is 15'. Locate drivers nearby.

### D. Select Light modules:

Linear strips are available in five nominal lengths: 1', 2', 3', 4' and 5'. Individual units can be adjusted from 20–100% with on board switch.

Note: Specify quantities in boxes

A. Housing Corners				B. Linear Profiles						C. Driver	
Horizontal Corner	Finish	Inside Corner	Finish	Feed Unit Profile	Finish		Intermediate Profile	Finish			
<input type="checkbox"/> 06.1610	14 = Black	<input type="checkbox"/> 06.1612	14 = Black	<input type="checkbox"/> 06.1600	14 = Black	39.37" (1m)	<input type="checkbox"/> 06.1605	14 = Black	39.37" (1m)	<input type="checkbox"/> LED96W24V-Non-Dim	LED Driver 96W
<input type="checkbox"/> 06.1610	40 = White	<input type="checkbox"/> 06.1612	40 = White	<input type="checkbox"/> 06.1600	40 = White		<input type="checkbox"/> 06.1605	40 = White		<input type="checkbox"/> 60.9091	0-10V to DALI Converter (optional)
				<input type="checkbox"/> 06.1601	14 = Black	59.05" (1.5m)	<input type="checkbox"/> 06.1606	14 = Black	59.05" (1.5m)		
				<input type="checkbox"/> 06.1601	40 = White		<input type="checkbox"/> 06.1606	40 = White			
				<input type="checkbox"/> 06.1602	14 = Black	78.74" (2m)	<input type="checkbox"/> 06.1607	14 = Black	78.74" (2m)		
				<input type="checkbox"/> 06.1602	40 = White		<input type="checkbox"/> 06.1607	40 = White			

D. Light Modules						
Light Strip	Spot	Spot Lenses	Multi Spot 4	Mini Glo-Ball	Mini Glo-Ball S	Find Me Suspension
(See table)	<input type="checkbox"/> 03.6302.14A90	<input type="checkbox"/> 08.8760.00	<input type="checkbox"/> 03.6306.14.90	<input type="checkbox"/> 03.6261.14B90	<input type="checkbox"/> 03.6263.14B90	(See table)
	<input type="checkbox"/> 03.6303.14A90	<input type="checkbox"/> 08.8761.00	<input type="checkbox"/> 03.6305.14.90	<input type="checkbox"/> 03.6260.14B90	<input type="checkbox"/> 03.6262.14B90	
	<input type="checkbox"/> 03.6302.14ADD	<input type="checkbox"/> 08.8759.00	<input type="checkbox"/> 03.6306.14.DD	<input type="checkbox"/> 03.6261.14.DD	<input type="checkbox"/> 03.6263.14.DD	
	<input type="checkbox"/> 03.6303.14ADD	<input type="checkbox"/> 08.8427.14	<input type="checkbox"/> 03.6305.14.DD	<input type="checkbox"/> 03.6260.14.DD	<input type="checkbox"/> 03.6262.14.DD	

