



architectural

Super Flat Suspension Up & Down

Ceiling Pendant Fixed Direct/Indirect

Description

Super thin suspended glowing panels that put out a massive amount of remarkably uniform volumetric light. Just 1/2" thick, Super Flat is available in square and rectangular structures crafted from extruded aluminum rails and die cast aluminum corner brackets. Extremely high light levels are achieved through the use of light guides that directs all light out of the fixture. Suspension cables allow panels to be leveled or adjusted to angle the fixture and direct light off axis for sloped ceilings and other odd site conditions.

Lamps

- LED: LG
- Square Versions
 - 24"x 24", 42W, 2810lm (Up) / 1900lm (Down), 3000K, CRI 80
 - 24"x 24", 42W, 2810lm (Up) / 1900lm (Down), 4000K, CRI 80
 - 36"x 36", 50W, 4068lm (Up) / 4068lm (Down), 3000K, CRI 80
 - 36"x 36", 50W, 4192lm (Up) / 4192lm (Down), 4000K, CRI 80
- Rectangle Versions
 - 8"x47", 50W, 4068lm (Up) / 4068lm (Down), 3000K, CRI 80
 - 8"x47", 50W, 4192lm (Up) / 4192lm (Down), 4000K, CRI 80
 - 12"x47", 50W, 4068lm (Up) / 4068lm (Down), 3000K, CRI 80
 - 12"x47", 50W, 4192lm (Up) / 4192lm (Down), 4000K, CRI 80

Construction

- Extruded aluminum with angle brackets made of injected aluminum
- Light guide material is acrylic and is covered with a micro-prismatic film
- Canopy is made of powder coated aluminum or steel (model dependent)
- Fixture is suspended with aircraft cables

Notes

- Lens should be protected during installation to avoid scratching film
- Canopy has standard white finish and ships separately
- Versions
 - 24"x24"/36"x36"/8"x47"/12"x47":
 - Listings: IP20 dry rated only, Class 1

Electrical

- Fixture is constant current, low voltage with remote power supply or integral power supply canopy (model dependent)
- Integral power supply canopy can be surface mounted or recessed mounted into ceiling
- Power supply can be serviced without dismantling fixture
- Remote power supply can only power one fixture, regardless of load

Photometrics

For current IES files please visit usa.flos.com

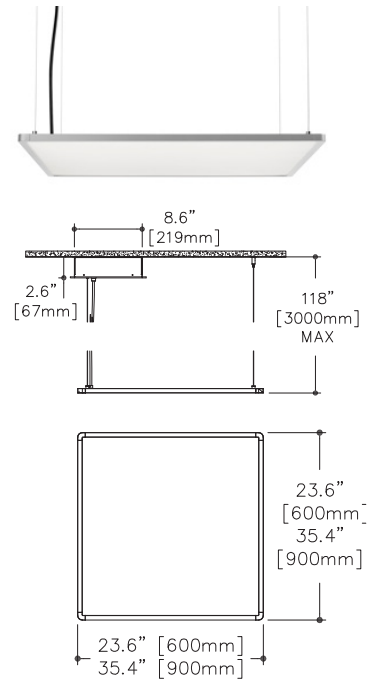
Warranty

2 years from date of sale

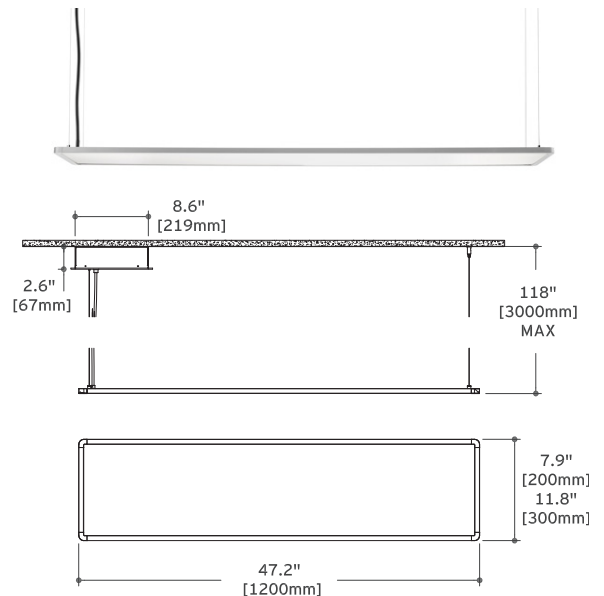
Fixture Type

Job Name

Square Versions



Rectangle Versions



How to Specify

ex. 09.5015.30.A90 + 08.xxx1.00

QTY	Item Number	Description	Finish	Power Supply
	09.5015	Super Flat Suspension Up & Down, LED, 24"x24", 42W, 2816lm(Up)/2900lm(Down), 3000K, CRI 80	<input type="checkbox"/> 02 = Grey <input type="checkbox"/> 14 = Black <input type="checkbox"/> 30 = White	A90 = Canopy box, 42W, 10% dim, 0-10V and DALI, 120-277V A9S = Remote Power Supply, 42W





architectural

Super Flat Suspension Up & Down

Ceiling Pendant Fixed Direct/Indirect

Fixture Type

Job Name

How to Specify

QTY	Item Number	Description	Finish	Power Supply
	09.5016	Super Flat Suspension Up & Down, LED, 24"x24", 42W, 2816lm(Up)/2900lm(Down), 4000K, CRI 80	<input type="checkbox"/> 02 = Grey <input type="checkbox"/> 14 = Black <input type="checkbox"/> 30 = White	A90 = Canopy box, 42W, 10% dim, 0-10V and DALI, 120-277V A9S = Remote Power Supply, 42W
	09.5025	Super Flat Suspension Up & Down, LED, 36"x36", 50W, 4068lm(Up)/4068lm(Down), 3000K, CRI 80	<input type="checkbox"/> 02 = Grey <input type="checkbox"/> 14 = Black <input type="checkbox"/> 30 = White	A90 = Canopy box, 50W, 10% dim, 0-10V and DALI, 120-277V A9S = Remote Power Supply, 50W
	09.5026	Super Flat Suspension Up & Down, LED, 36"x36", 50W, 4068lm(Up)/4192lm(Down), 4000K, CRI 80	<input type="checkbox"/> 02 = Grey <input type="checkbox"/> 14 = Black <input type="checkbox"/> 30 = White	A90 = Canopy box, 50W, 10% dim, 0-10V and DALI, 120-277V A9S = Remote Power Supply, 50W
	09.5035	Super Flat Suspension Up & Down, LED, 8"x47", 50W, 4068lm(Up)/4068lm(Down), 3000K, CRI 80	<input type="checkbox"/> 02 = Grey <input type="checkbox"/> 14 = Black <input type="checkbox"/> 30 = White	A90 = Canopy box, 50W, 10% dim, 0-10V and DALI, 120-277V A9S = Remote Power Supply, 50W
	09.5036	Super Flat Suspension Up & Down, LED, 8"x47", 50W, 4192lm(Up)/4192lm(Down), 4000K, CRI 80	<input type="checkbox"/> 02 = Grey <input type="checkbox"/> 14 = Black <input type="checkbox"/> 30 = White	A90 = Canopy box, 50W, 10% dim, 0-10V and DALI, 120-277V A9S = Remote Power Supply, 50W
	09.5045	Super Flat Suspension Up & Down, LED, 12"x47", 50W, 4068lm(Up)/4068lm(Down), 3000K, CRI 80	<input type="checkbox"/> 02 = Grey <input type="checkbox"/> 14 = Black <input type="checkbox"/> 30 = White	A90 = Canopy box, 50W, 10% dim, 0-10V and DALI, 120-277V A9S = Remote Power Supply, 50W
	09.5046	Super Flat Suspension Up & Down, LED, 12"x47", 50W, 4192lm(Up)/4192lm(Down), 4000K, CRI 80	<input type="checkbox"/> 02 = Grey <input type="checkbox"/> 14 = Black <input type="checkbox"/> 30 = White	A90 = Canopy box, 50W, 10% dim, 0-10V and DALI, 120-277V A9S = Remote Power Supply, 50W





architectural

Super Flat Suspension Up & Down

Ceiling Pendant Fixed Direct/Indirect

Fixture Type

Job Name

Optional Accessories

Image	QTY	Item Number	Description
		RM-C-B (Black) RM-C-W (White)	Junction box cover plate for remote power supply (A9S version)
	A90		Canopy box, 17W, 10%, 0-10V and DALI, 120-277V
	A90		Canopy box, 42W, 10%, 0-10V and DALI, 120-277V
	A90		Canopy box, 50W, 10%, 0-10V and DALI, 120-277V

