



architectural

# Light Sniper Adjustable Round LED

Ceiling Recessed Trimmed Adjustable Accent

Fixture Type .....

Job Name .....

## Description

High performance recessed luminaires available for halogen, metal halide, or integral LED. With a 1.75" aperture and a true 40 degree aiming angle, the Light Sniper offers high comfort due to the back visual position of the light source. Toolless aiming holds its focus indefinitely. Fixed, adjustable and wallwash versions available.

## Lamps

- LED: Cree  
11W, 910lm, 2700K, CRI 90  
11W, 1210lm, 3000K, CRI 80

## Electrical

- Non-IC rated splice box for retrofit or new construction contains 0-10v constant current dimmable driver

## Construction

- Fixture made of two die cast aluminum bodies.
- Round trim made of steel sheet 1/16" thick with white matte finish.
- It incorporates inner trim ring in three different finishes: black, matte gold and chrome.
- Inner ring can be removed for easy access to the adjustable components.

## Photometrics

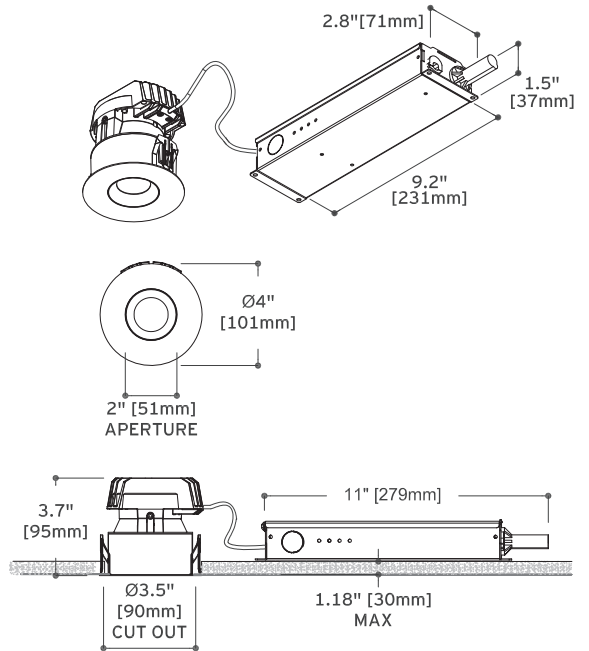
For current IES files please visit [usa.flos.com](http://usa.flos.com)

## Warranty

2 years from date of sale

## Notes

- Maximum tilt angle 40°
- Maximum rotation 360°
- Factory suggests 6.1" (155mm) minimum plenum height
- Listings: UL Listed, IP44 damp location with added lens



## How to Specify ex. 03.4985.GL.UL

QTY	Item Number	Beam Angle	Description	Finish	Power Supply
	03.4985	15	Light Sniper Adjustable Round, LED, 11W, 910lm, 2700K, CRI 90	<input type="checkbox"/> 06 = White Trim/Chrome Ring <input type="checkbox"/> 14 = White Trim/Black Ring <input type="checkbox"/> GL = White Trim/Gold Ring	UL = Splice box 1% dim, 0-10V, 120V 7U = Splice box 1% dim, 0-10V, 277V GT = Splice box, 10% dim, ELV, 120V
	03.4997	26	Light Sniper Adjustable Round, LED, 11W, 910lm, 2700K, CRI 90	<input type="checkbox"/> 06 = White Trim/Chrome Ring <input type="checkbox"/> 14 = White Trim/Black Ring <input type="checkbox"/> GL = White Trim/Gold Ring	UL = Splice box 1% dim, 0-10V, 120V 7U = Splice box 1% dim, 0-10V, 277V GT = Splice box, 10% dim, ELV, 120V
	03.4984	15	Light Sniper Adjustable Round, LED, 11W, 1210lm, 3000K, CRI 80	<input type="checkbox"/> 06 = White Trim/Chrome Ring <input type="checkbox"/> 14 = White Trim/Black Ring <input type="checkbox"/> GL = White Trim/Gold Ring	UL = Splice box 1% dim, 0-10V, 120V 7U = Splice box 1% dim, 0-10V, 277V GT = Splice box, 10% dim, ELV, 120V
	03.4996	26	Light Sniper Adjustable Round, LED, 11W, 1210lm, 3000K, CRI 80	<input type="checkbox"/> 06 = White Trim/Chrome Ring <input type="checkbox"/> 14 = White Trim/Black Ring <input type="checkbox"/> GL = White Trim/Gold Ring	UL = Splice box 1% dim, 0-10V, 120V 7U = Splice box 1% dim, 0-10V, 277V GT = Splice box, 10% dim, ELV, 120V





architectural





# Light Sniper Adjustable Round LED

Ceiling Recessed Trimmed Adjustable Accent

Fixture Type .....

Job Name .....

## Optional Accessories

Image	QTY	Item Number	Description
		08.8041.68	Elliptical Lens
		08.8412.14	Honeycomb anti-glare louvre
		08.8239.00A	Flush trim
		08.8243.00	Ceiling protector accessory to be used without housing for trimmed application

