



architectural

# Thin LED

Wall Surface Fixed Indirect

## Description

Thin LED is a unique wall luminaire designed for indirect lighting. Made up of a small triangular shape, thin anodized aluminum housing, with an internal optical aluminum reflector is designed to throw light far and wide. Thin LED is very easy to install and is entirely surface mount, making it the perfect retrofit and new construction solution. The utilized LED, with a very tight pitch and a 120° emission, together with the reflection system, grant a very high and even lighting emission performance.

## Lamps

- LED: Osram  
15.9", 6.4W, 688lm, 3000K, CRI 85  
40.7", 19W, 1780lm, 3000K, CRI 85  
47.2", 22W, 2064lm, 3000K, CRI 85  
79.5", 38W, 3508lm, 3000K, CRI 85

## Construction

- Profile made of sturdy extruded aluminum
- Internal specular aluminum reflector
- Mounting bracket made of aluminum and steel

## Notes

- A non-lit module is available to improve beam cut off at end when fixture meets a wall and is field cuttable
- Fixture has a max connection length of 10ft.
- Fixture is installed using a supporting bracket
- End caps included and are removable when joining profiles together
- Fixture is designed for installation on a variety of surfaces including sheetrock, wood, tile and concrete. Ask your local rep for more info
- Listings: UL Listed, IP 20 dry rated only, Class 2

## Electrical

- Fixture is constant voltage with 24V remote power supply
- Fixture is 6 watts a linear foot
- Available in 0-10v dimming
- Fixture can be wired parallel, up to maximum allowed wattage of power supply. Distance should not exceed driver's limits for voltage drop

## Photometrics

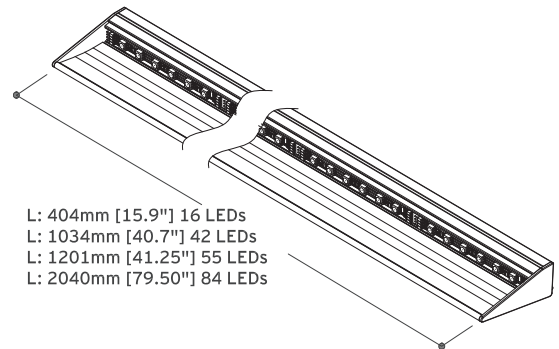
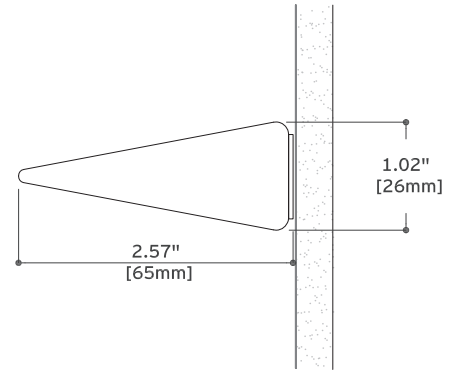
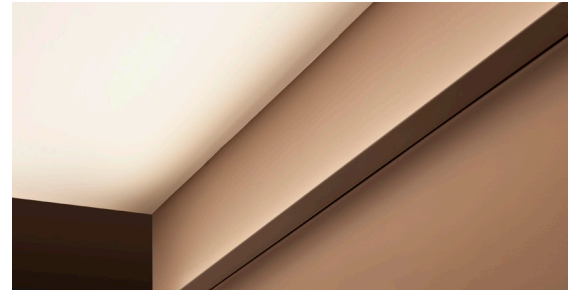
For current IES files please visit [usa.flos.com](http://usa.flos.com)

## Warranty

2 years from date of sale

Fixture Type .....

Job Name .....



## How to Specify ex. 09.0045.30.A9S + LED96W24V-10VDIM

QTY	Item Number	Description	Finish	Power Supply
	09.0045	Thin LED 16", 6.4W, 688lm, 3000K, CRI 85	<input type="checkbox"/> 29 = Anodized Aluminum <input type="checkbox"/> 30 = White <input type="checkbox"/> BZ = Bronze	A9S = Remote Power Supply (see options below)
	09.0100	Thin LED 41", 19W, 1780lm, 3000K, CRI 85		
	09.0120	Thin LED 47", 22W, 2064lm, 3000K, CRI 85		
	09.0101	Thin LED 80", 38W, 3508lm, 3000K, CRI 85		





architectural


# Thin LED

Wall Surface Fixed Indirect


Fixture Type .....

Job Name .....

## Power Supply

Image	QTY	Item Number	Description
		LED96W24V-10VDIM	Remote LED Driver, 96W,110-277V, 0-10V dimming

## Optional Accessory

Image	QTY	Item Number	Finish	Description
		09.0104	30A = White 29A = Anodized Aluminum BZA = Bronze	Non-lit module (blind profile)

