

## Kap 105 (4.1") Round Halogen / Metal Halide Ceiling Recessed Trimless Fixed Downlight

### Description

Kap Recessed combines a trimless edge, exquisitely textured finish and deep recess of the highest quality metal halide or halogen light source to form a sculptural blend of architecture and science. When installed, the ceiling appears as if crafted from a thick, rich material and the room glows with striking colors rendered in crisp white light.

### Lamps

Halogen: 50W QT-12, GY 6.35

Metal Halide: 35W CDM-TC, G 8.5

### Construction

Injection molded specular reflector with matte finish

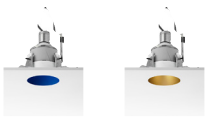
Lamp module is diffused with a low mineral content, color neutral, glass diffuser

### Finish

B1 White    CU Copper    74 Black



BU Blue    GL Matt Gold



### Electrical

Halogen fixture includes electronic low voltage transformer.

Metal halide fixture includes electronic non-dimmable ballast.

### Housing

Non-IC rated housing for new construction, 20 ga. sheetmetal supplied with (2) mounting bars and removable mounting brackets.

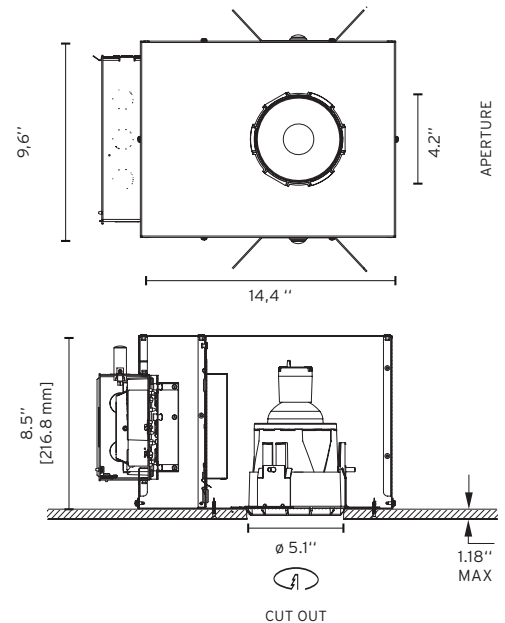
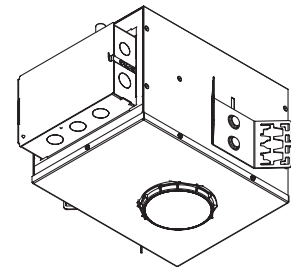
### Notes

Fixture comes with separate trimless installation frame which allows for installation in sheet rock and special construction ceilings up to 1.2" thick

Listings: UL listed, dry location only

### Warranty

2 years from date of sale.



### How to Specify

ex. 03.4400.GL.90

QTY	Item Number	Description	Finish	Power Supply
	03.4400	Kap 105 (4.1") Round, Halogen, 50W, QT-12, GY 6.35	<input type="checkbox"/> B1 = White <input type="checkbox"/> 74 = Black <input type="checkbox"/> CU = Cooper <input type="checkbox"/> BU = Blue <input type="checkbox"/> GL = Gold	90 = Housing with integral transformer, ELV, 120V
	03.4401	Kap 105 (4.1") Round, Metal Halide, 35W, CDM-TC, G 8.5	<input type="checkbox"/> B1 = White <input type="checkbox"/> 74 = Black <input type="checkbox"/> CU = Cooper <input type="checkbox"/> BU = Blue <input type="checkbox"/> GL = Gold	90 = Housing with integral ballast, non-dimmable, 120-277V