

## UT D86 Spot Downlight Trimmed

Ceiling Recessed Directional Accent

### Description

The UT Spot is a family of high output indoor downlights suitable for any application, from museum exhibitions to commercial premises and offices or residential environments.

Remodel type Non IC (requires 3" clearance from insulation) luminaire to be mounted on ceilings via screw down wings. LED light sources with choice of lumen's color temperature and beam, with ELV & FF phase cut or 0-10V dimming versions.

The UT Spot Downlight version can operate as downlight (up position) or as adjustable spotlight (down position).

The optical housing of the luminaire is manufactured in high-pressure injected aluminium, with white or black finishes.

### Lamps

LED ARRAY : Citizen  
 27W, 3210lm, 3000K, CRI80  
 27W, 2660lm, 3000K, CRI90  
 27W, 2770lm, 4000K, CRI90

Delivered lumen from 1777 lm up to 2366 lm

### Construction

Fixture body is high pressure injected aluminium.

All optics are made of aluminium with specular finish.

### Photometrics

For current IES files please visit [architectural.usa.flos.com](http://architectural.usa.flos.com)

### Finish

30 White       14 Black



### Electrical

Fixtures is constant current, low voltage LED with integral Power supply.

Fixture is 27 watts.

### Notes

Maximum tilt angle 90°.

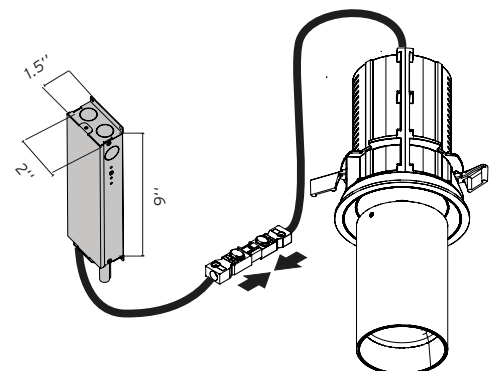
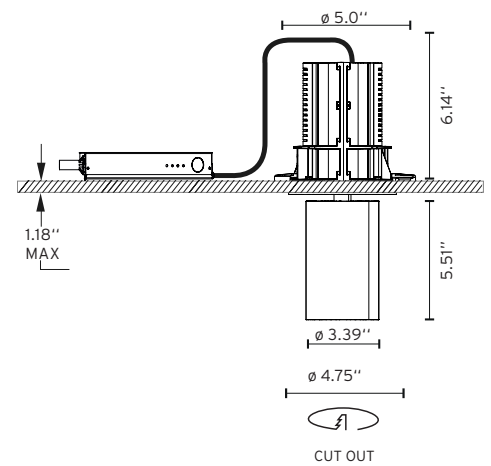
Maximum rotation 365°.

Beam spreads available in 12°, 23° and 40°.

Listings: UL Listed, IP20 dry location only, Class 2

### Warranty

2 years from date of sale.








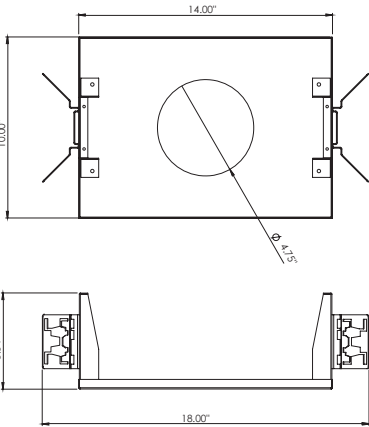
**UT D86 Spot Downlight Trimmed**  
Ceiling Recessed Directional Accent

**How to Specify** ex : 09.4910.30AUL

QTY	Item Number	Beam Angle	Description	Finish	Power Supply
	09.4910 09.4911 09.4912	12° 23° 40°	UT Spot D86 Downlight Trimmed, 27W, 3210lm, 3000K, CRI 80	<input type="checkbox"/> 30 = White <input checked="" type="checkbox"/> 14 = Black	AGT = Splice box, 10% Dim, ELV, 120V AUL = Splice Box, 1% Dim, 0-10V, 120V A7U = Splice box, 1% Dim, 0-10V, 277V
	09.4913 09.4914 09.4915	12° 23° 40°	UT Spot D86 Downlight, 27W, 2660lm, 3000K, CRI 90	<input type="checkbox"/> 30 = White <input checked="" type="checkbox"/> 14 = Black	AGT = Splice box, 10% Dim, ELV, 120V AUL = Splice Box, 1% Dim, 0-10V, 120V A7U = Splice box, 1% Dim, 0-10V, 277V
	09.4916 09.4917 09.4918	12° 23° 40°	UT Spot D86 Downlight Trimmed, 27W, 2770lm, 4000K, CRI 90	<input type="checkbox"/> 30 = White <input checked="" type="checkbox"/> 14 = Black	AGT = Splice box, 10% Dim, ELV, 120V AUL = Splice Box, 1% Dim, 0-10V, 120V A7U = Splice box, 1% Dim, 0-10V, 277V

**UT D86 Spot Downlight Trimmed**  
Ceiling Recessed Directional Accent

**Optional Accesories**

Image	QTY	Item Number	Description
		08.8410.00	Holding ring
		08.8411.00	Cross baffle
		08.8163.68	Elliptical lens (to use with the holding ring)
		08.8175.68	Flood lens (to use with the holding ring)
		08.8495.14	Honeycomb anti-glare louvre (to use with the holding ring)
		TRAY-0019	Registration tray -non electrical, place holder for non IC new construction, ø 4.75"