

**UT Spot D86 Multichip**  
Track Mounted Directional Accent

**Description**

The UT Spot is a family of high output indoor track lights suitable for any application, from museum exhibitions to commercial premises and offices or residential environments. Available up to 900 lumens each, the UT Spot is line voltage and houses its driver in a discreet small box that integrates with the track, giving it a sleek modern look.

The optical housing of the luminaire is manufactured in high-pressure injected aluminium, with white or black finishes.

**Lamps**

TOP LED: SAMSUNG  
11.5W, 900lm, 3000K, CRI 80  
11.5W, 750lm, 3000K, CRI 90  
11.5W, 930lm, 4000K, CRI 80

Delivered lumen from 709 lm up to 1028 lm

**Construction**

Fixture body is high pressure injected aluminium.

All optics are made of aluminium with specular finish.

**Photometrics**

For current IES files please visit [architectural.flosusa.com](http://architectural.flosusa.com)

30 White       14 Black  
**Finish**



**Electrical**

Fixture is constant current, low voltage LED with integral power supply.

Track heads are designed for use with standard three circuit track.

Fixture is 11.5 watts.

**Notes**

Maximum tilt angle 90°.

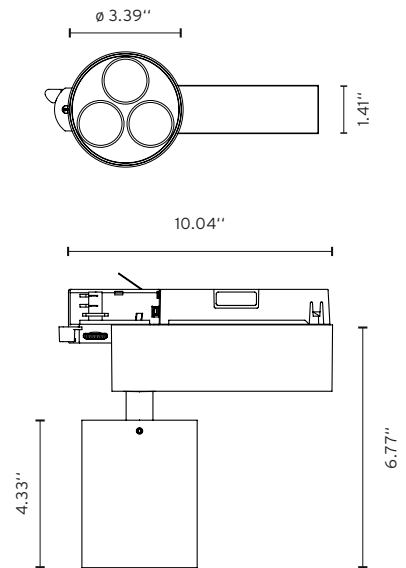
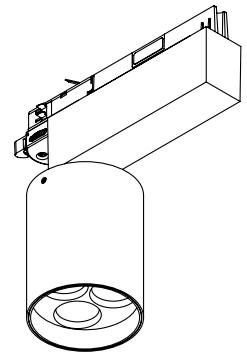
Maximum rotation 365°.

Beam spreads available in 8°.

Track head wattage is model dependant.

**Warranty**

2 years from date of sale.



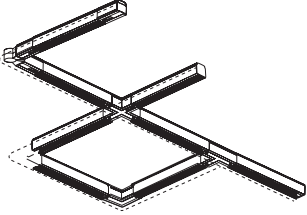
**UT Spot D86 Multichip**  
Track Mounted Directional Accent

**How to Specify** ex. 09.4983.30.90

QTY	Item Number	Beam Angle	Description	Finish	Power Suply
	09.4983	8°	UT Spot D86 Multichip, 11.5W, 900lm, 3000K, CRI 80	<input type="checkbox"/> 30 = White <input checked="" type="checkbox"/> 14 = Black	90= Integral non-dimming driver, 120-277V
	09.4984	8°	UT Spot D86 Multichip, 11.5W, 750lm, 3000K, CRI 90	<input type="checkbox"/> 30 = White <input checked="" type="checkbox"/> 14 = Black	90= Integral non-dimming driver, 120-277V
	09.4985	8°	UT Spot D86 Multichip, 11.5W, 930lm, 4000K, CRI 80	<input type="checkbox"/> 30 = White <input checked="" type="checkbox"/> 14 = Black	90= Integral non-dimming driver, 120-277V

**UT Spot D86 Multichip**  
Track Mounted Directional Accent

**Track Required**

Image	Description
	Contact FLOS sales agent for configuration of layout and specification information