

**UT Spot D86 Track**  
Track Mounted Directional Accent

**Description**

The UT Spot is a family of high output indoor track lights suitable for any application, from museum exhibitions to commercial premises and offices or residential environments. Available up to 3770 lumens each, the UT Spot is line voltage and houses its driver in a discreet small box that integrates with the track, giving it a sleek modern look.

A luminaire for indoor use to be mounted on three phase track, available in LED technology light sources and in dimmable or not dimmable versions.

The optical housing of the luminaire is manufactured in high-pressure injected aluminium, with white or black finishes.

**Lamps**

LED ARRAY : Citizen  
33W, 3770lm, 3000K, CRI 80  
33W, 3100lm, 3000K, CRI 90  
33W, 3250lm, 4000K, CRI 90

Delivered lumen from 1990 lm up to 2646 lm

**Construction**

Fixture body is high pressure injected aluminium.

All optics are made of aluminium with specular finish.

**Photometrics**

For current IES files please visit [architectural.flosusa.com](http://architectural.flosusa.com)

**Finish**

30 White

14 Black



**Electrical**

Fixture is constant current, low voltage LED with integral power supply.

Track heads are designed for use with standard three circuit track.

Fixture is 33 watts.

**Notes**

Maximum tilt angle 90°.

Maximum rotation 365°.

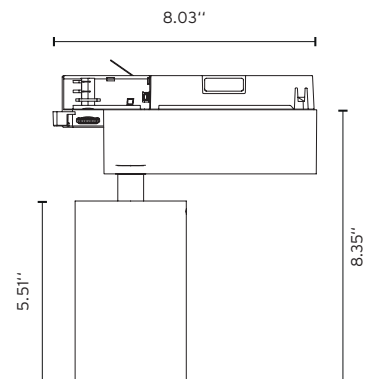
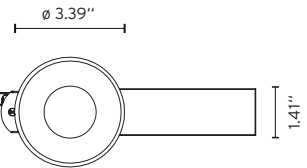
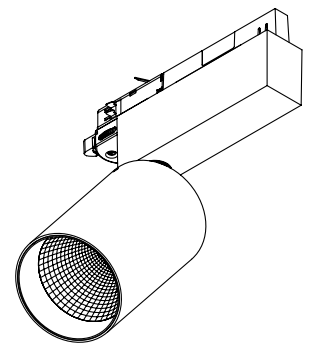
Beam spreads available in 12°, 23° and 40°.

Track head wattage is model dependant.

Listings: UL Listed, IP20 dry location only, Class 2

**Warranty**

2 years from date of sale.



**UT Spot D86 Track**  
Track Mounted Directional Accent


**How to Specify** ex. 09.4880.30A90

QTY	Item Number	Beam Angle	Description	Finish	Power Supply
	09.4880 09.4882 09.4884	12° 23° 40°	UT Spot Track D86, 33W, 3770lm, 3000K, CRI 80	<input type="checkbox"/> 30 = White <input checked="" type="checkbox"/> 14 = Black	A90= Integral non-dimming driver, 40W, 120-277V A9V= Integral ELV dimming driver, 36W, 120
	09.4886 09.4887 09.4888	12° 23° 40°	UT Spot Track D86, 33W, 3100lm, 3000K, CRI 90	<input type="checkbox"/> 30 = White <input checked="" type="checkbox"/> 14 = Black	A90= Integral non-dimming driver, 40W, 120-277V A9V= Integral ELV dimming driver, 36W, 120
	09.4881 09.4883 09.4885	12° 23° 40°	UT Spot Track D86, 33W, 3250lm, 4000K, CRI 90	<input type="checkbox"/> 30 = White <input checked="" type="checkbox"/> 14 = Black	A90= Integral non-dimming driver, 120-277V A9V= Integral ELV dimming driver, 36W, 120

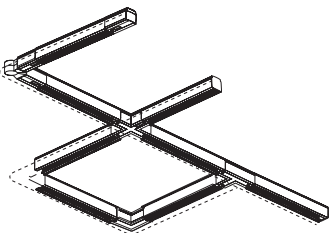
## UT Spot D86 Track

Track Mounted Directional Accent

### Optional Accesories

Image	QTY	Item Number	Description
		08.8410.00	Holding ring
		08.8411.00	Cross baffle
		08.8163.68	Elliptical lens (to use with the holding ring)
		08.8175.68	Flood lens (to use with the holding ring)
		08.8495.14	Honeycomb anti-glare louvre (to use with the holding ring)

### Track Required

Image	Description
	Contact FLOS sales agent for configuration of layout and specification information