

UT D57 Spot Downlight Trimmed

Ceiling Recessed Directional Accent

Description

The UT Spot is a family of high output indoor lights suitable for any application, from museum exhibitions to commercial premises and offices or residential environments.

Remodel type Non IC (requires 3" clearance from insulation) luminaire for indoor use, to be mounted on ceilings, via screw down wings. LED light sources with choice of lumen's color temperature and beam, with ELV & FF phase cut or 0-10V dimming versions.

The UT Spot Downlight version can operate as a downlight (up position) or as adjustable spotlight (down position).

The optical housing of the luminaire is high-pressure injected aluminum, with white or black finishes. Remodel driver included.

Lamps

LED ARRAY : Citizen
 18W, 2150lm, 3000K, CRI 80
 18W, 1780lm, 3000K, CRI 90
 18W, 1900lm, 4000K, CRI 90

Delivered lumen from 1189 lm up to 1664 lm

Construction

Fixture body is high pressure injected aluminium.

All optics are made of aluminium with specular finish.

Photometrics

For current IES files please visit architectural.usa.flos.com

Finish

30 White 14 Black



Electrical

Fixture is constant current, low voltage LED with integral power supply.

Fixture is 18 watts.

Notes

Maximum tilt angle 90°

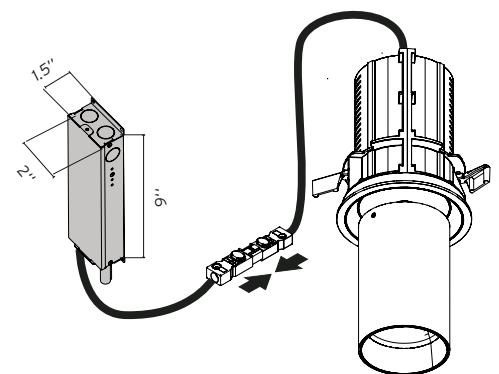
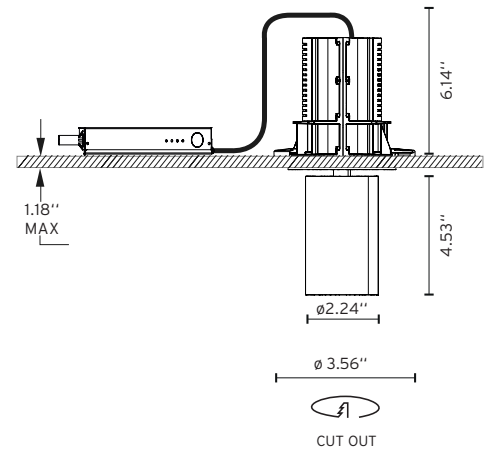
Maximum rotation 365°

Beam spreads available in 12°, 23° and 40°

Listings: UL Listed, IP20 dry location only, Class 2

Warranty

2 years from date of sale.








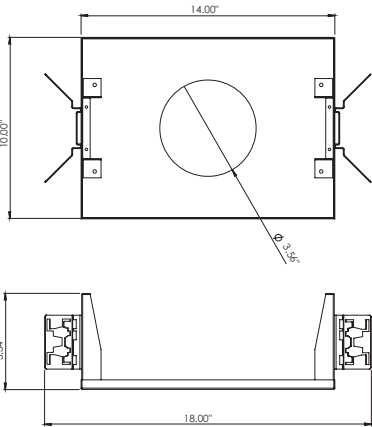
UT D57 Spot Downlight Trimmed
Track Mounted Directional Accent

How to Specify ex. 09.4510.14AUL

Item Number	Beam Angle	Description	Finish	Power Supply
09.4510 09.4511 09.4512	12° 23° 40°	UT Spot D57 Downlight, 18W, 2150lm, 3000K, CRI 80	☐ 30 = White ■ 14 = Black	AGT = Splice box, 10% Dim, ELV, 120V AUL = Splice Box, 1% Dim, 0-10V, 120V A7U = Splice Box, 1% Dim, 0-10V, 277V
09.4513 09.4514 09.4515	12° 23° 40°	UT Spot D57 Downlight, 18W, 1780lm, 3000K, CRI 90	☐ 30 = White ■ 14 = Black	AGT = Splice box, 10% Dim, ELV, 120V AUL = Splice Box, 1% Dim, 0-10V, 120V A7U = Splice Box, 1% Dim, 0-10V, 277V
09.4516 09.4517 09.4518	12° 23° 40°	UT Spot D57 Downlight, 18W, 1900lm, 4000K, CRI 90	☐ 30 = White ■ 14 = Black	AGT = Splice box, 10% Dim, ELV, 120V AUL = Splice Box, 1% Dim, 0-10V, 120V A7U = Splice Box, 1% Dim, 0-10V, 277V

UT D57 Spot Downlight Trimmed
Track Mounted Directional Accent

Optional Accesories

Image	QTY	Item Number	Description
		08.8429.00	Cross baffle
		08.8431.00	Elliptical lens
		08.8432.00	Flood lens
		08.8428.00	Honeycomb anti-glare louvre
		08.0526.00	Snoot shielding cone
		TRAY-0017	Registration tray -non electrical, place holder for non IC new construction, ø 3.56"