

# FLOS

ARCHITECTURAL

## Light Bell

Ceiling Pendant Fixed Downlight

Fixture Type .....

Job Name .....

### Description

The Light Bell is a suspended general lighting luminaire for indoor mounting. Upgraded industrial chic lights - think high bay, then think again because the Light Bell is no warehouse fixture. Proportion, exquisite finish and clear purpose ring true in this stylish spin on the utilitarian classic.

Light Bell diffuser options offer elegance where low energy, high performance light is required. The shape of the reflector and opalescent diffuser were carefully prescribed to control the high output LED light engine. LED cooling is managed through the innovative pin and fin heat sink which discretely contains the integral driver.

### Lamps

LED: Bridgelux

Non Dimmable Version:

38.2W, 5244lm, 2700K, CRI 90

38.2W, 5440lm, 3000K, CRI 90

Dimmable Version:

49.5W, 6445lm, 2700K, CRI 90

49.5W, 6687lm, 3000K, CRI 90

Delivered lumens from 1248lm up to 3415lm

### Construction

Fixture contains a high efficacy technical thermoplastic diffuser.

Reflector is made from spun aluminium transparent glass or concrete model dependent.

Aluminium heat sink.

### Notes

Reflector ships separately from luminaire, must be slid over luminaire prior to being hung.

Fixture reflector sits on lamp module.

Listings: UL Listed, IP20 dry rated or IP54 damp rated, canopy model dependent.

### Electrical

Integral line voltage power supply.

Canopy to cover j-box is provided separately.

Two canopy options available: IP20 and IP54.

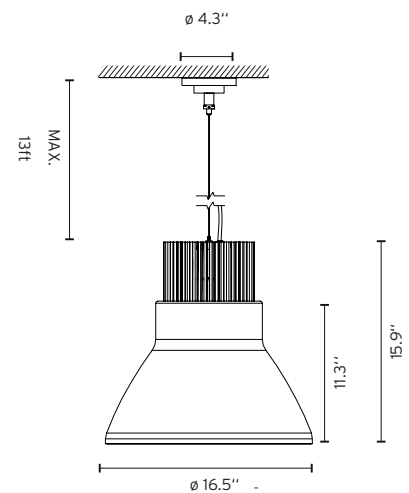
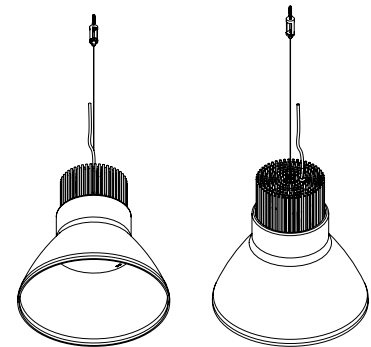
Available 0-10V dimming and non dimming versions.

### Photometrics

For current IES files please visit [architectural.flosusa.com](http://architectural.flosusa.com)

### Warranty

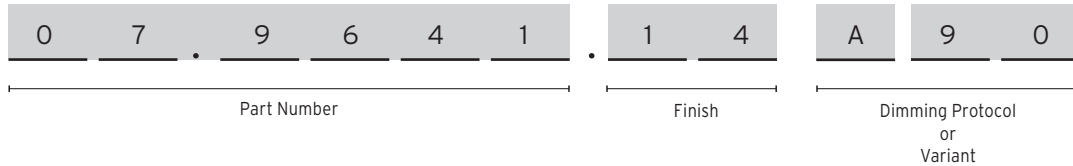
2 years from date of sale.



## Light Bell

Ceiling Pendant Fixed Downlight

### How to Specify



### Light Bell Light Source

| QTY | CCT   | CRI | Initial Lumens | Watts | Part Number | Finish       | Dimming Protocol   |
|-----|-------|-----|----------------|-------|-------------|--------------|--|
|     | 2700K | 90  | 5244lm         | 38.2W | 07.9641     | ■ 14 = Black | A90 = Non dimmable, 120V                                   |
|     | 3000K | 90  | 5440lm         | 38.2W | 07.9642     |              |  |
|     | 2700K | 90  | 6445lm         | 49.5W | 07.9642     | ■ 14 = Black | A9V = 0-10V Dimmable, 120-277V<br>AQF = ELV Dimmable, 120V |
|     | 3000K | 90  | 6687lm         | 49.5W | 07.9642     |              |  |

### Light Bell Reflector

| QTY | Part Number | Image   | Beam Spread | Weight                    | Reflector Finish     |                      |
|-----|-------------|---|-------------|---------------------------|----------------------|----------------------|
|     |             |   |             |                           | Exterior             | Interior             |
|     | 07.9630.7C  |  | 78°         | Weight: 0.95 Kg<br>2.1 lb | ■ Black              | ■ Copper             |
|     | 07.9630.70  |  | 37°         | Weight: 0.95 Kg<br>2.1 lb | □ White              | □ Anodized Aluminium |
|     | 07.9630.AN  |  | 78°         | Weight: 0.95 Kg<br>2.1 lb | ■ Black              | ■ Gold               |
|     | 07.9630.AP  |  | 37°         | Weight: 0.95 Kg<br>2.1 lb | ■ Polished Aluminium | ■ Anodized Aluminium |